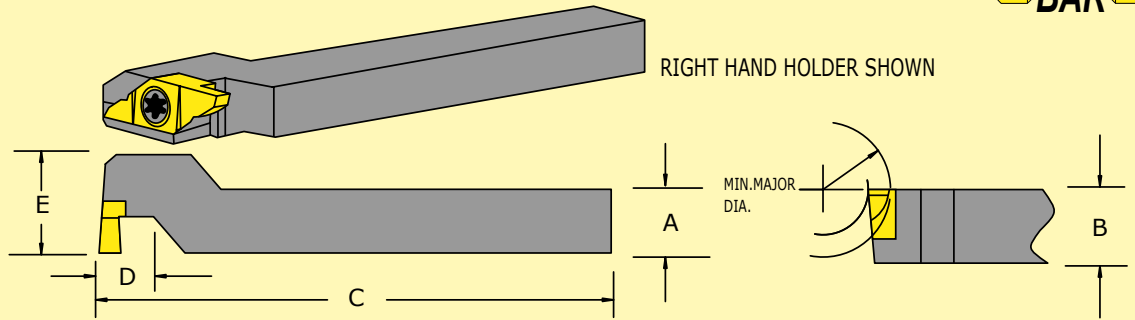


MAX-BAR FACE GROOVING



NON STANDARD WIDTHS AVAILABLE, RAPID DELIVERY



R.H. HOLDER NO.	L.H. HOLDER NO.	A	B	C	D	E	SCREW	WRENCH
SVFGR-08M6M-D	SVFGL-08M6M-D	8mm	8mm	114mm	6,4mm	19mm	2.40-064	T-7
SVFGR-10M6M-D	SVFGL-10M6M-D	10mm	10mm	114mm	8mm	19mm	2.40-064	T-7
SVFGR-12M6M-D	SVFGL-12M6M-D	12mm	12mm	114mm	9,5mm	19mm	2.40-064	T-7
SVFGR-3756M-D	SVFGL-3756M-D	.375	.375	4.50	.375	.750	2.40-064	T-7
SVFGR-5006M-D	SVFGL-5006M-D	.500	.500	4.50	.410	.750	2.40-064	T-7
SVFGR-6256M-D	SVFGL-6256M-D	.625	.625	4.50	.510	.750	2.40-064	T-7
SVFGR-7506M-D	SVFGL-7506M-D	.750	.750	4.50	.625	.750	2.40-064	T-7

NOTE: RIGHT HAND HOLDERS USE LEFT HAND INSERTS & LEFT HAND HOLDERS USE RIGHT HAND INSERTS

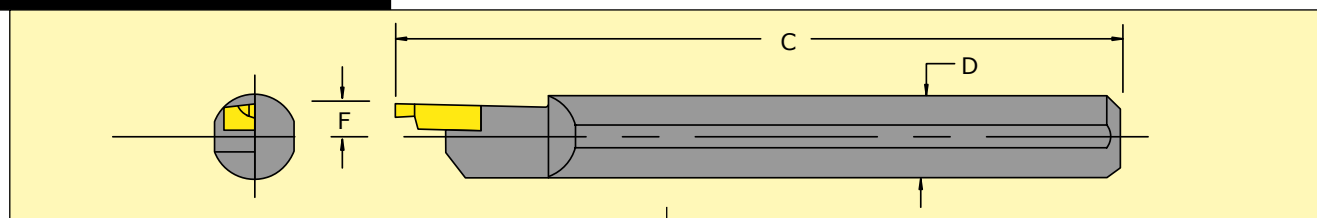
INSERTS

LEFT HAND INSERT SHOWN FOR RIGHT HAND HOLDER ABOVE

	R.H. INSERT NO.	L.H. INSERT NO.	WIDTH		DEPTH		MINIMUM MAJOR DIA.	
	CW ROTATION	CCW ROTATION	INCH	MM	INCH	MM	INCH	MM
	VFGR-6M305025	VFGL-6M305025	.030	0,76	.050	1,27	.250	6,35
VFGR-6M307550	VFGL-6M307550	.030	0,76	.075	1,90	.500	12,7	
VFGR-6M406025	VFGL-6M406025	.040	1,01	.060	1,52	.250	6,35	
VFGR-6M409050	VFGL-6M409050	.040	1,01	.090	2,28	.500	12,7	
VFGR-6M507530	VFGL-6M507530	.050	1,27	.075	1,90	.300	7,62	
VFGR-6M501060	VFGL-6M501060	.050	1,27	.100	2,54	.600	15,3	
VFGR-6M608030	VFGL-6M608030	.060	1,52	.080	2,03	.300	7,62	
VFGR-6M601060	VFGL-6M601060	.060	1,52	.100	2,54	.600	15,3	
VFGR-6M709030	VFGL-6M709030	.070	1,78	.090	2,28	.300	7,62	
VFGR-6M701260	VFGL-6M701260	.070	1,78	.120	3,05	.600	15,3	
VFGR-6M801030	VFGL-6M801030	.080	2,03	.100	2,54	.300	7,62	
VFGR-6M801460	VFGL-6M801460	.080	2,03	.140	3,55	.600	15,3	
VFGR-6M901430	VFGL-6M901430	.090	2,28	.140	3,55	.300	7,62	
VFGR-6M902060	VFGL-6M902060	.090	2,28	.200	5,00	.600	15,3	

FACE GROOVING BARS

LEFT HAND BAR SHOWN



BAR NO.	HAND OF BAR	INSERT NO.	D	C	F	SCREW	WRENCH
S10D-SVANL6M-FG	LEFT HAND BAR	VFGL-6M-	.625	5.75	.530	2.40-064	T-7