

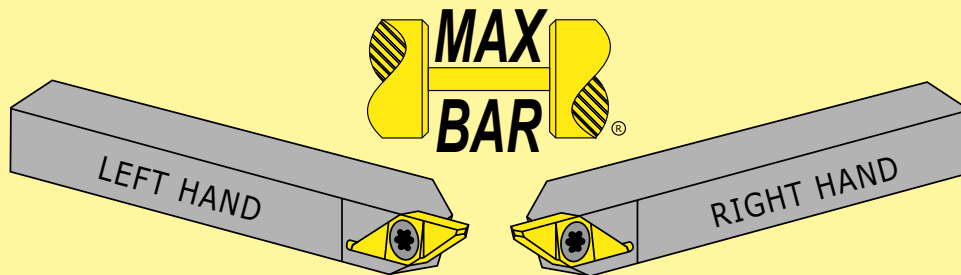
MAX-BAR 6mm 35° SERIES TOOLING



GROOVING

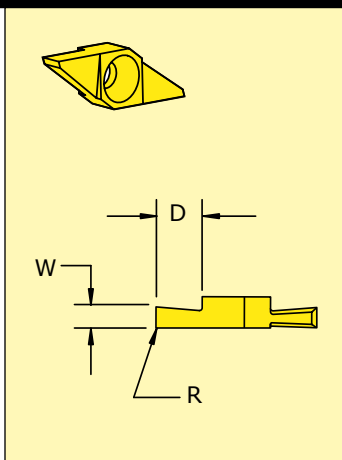
(REG. U.S. PATENT)
 (NO. 5,779,400)
 (NO. 6,033,158)

WITH ONE TOOLHOLDER
 JUST CHANGE INSERT



GROOVING

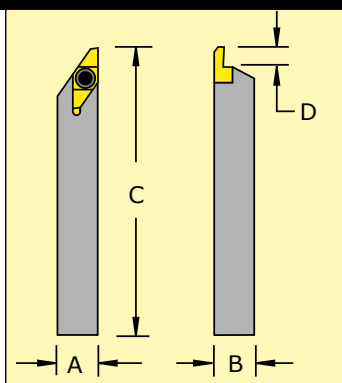
RIGHT HAND SHOWN



R.H. INSERT NO.	L.H. INSERT NO.	WIDTH		DEPTH		RADIUS	
		INCH	MM	INCH	MM	INCH	MM
VNGR-6M010	VNGL-6M010	.010	0,25	.020	0,50	.000	0,00
VNGR-6M012	VNGL-6M012	.012	0,30	.025	0,64	.000	0,00
VNGR-6M015	VNGL-6M015	.015	0,38	.035	0,89	.000	0,00
VNGR-6M020	VNGL-6M020	.020	0,50	.050	1,30	.000	0,00
VNGR-6M025	VNGL-6M025	.025	0,63	.065	1,65	.000	0,00
VNGR-6M031	VNGL-6M031	.031	0,78	.090	2,30	.000	0,00
VNGR-6M040	VNGL-6M040	.040	1,00	.100	2,60	.000	0,00
VNGR-6M047	VNGL-6M047	.047	1,20	.130	3,30	.000	0,00
VNGR-6M062	VNGL-6M062	.062	1,57	.160	4,06	.000	0,00
VNGR-6M078	VNGL-6M078	.078	1,98	.200	5,00	.000	0,00
VNGR-6M093	VNGL-6M093	.093	2,36	.200	5,00	.000	0,00

TOOLHOLDERS

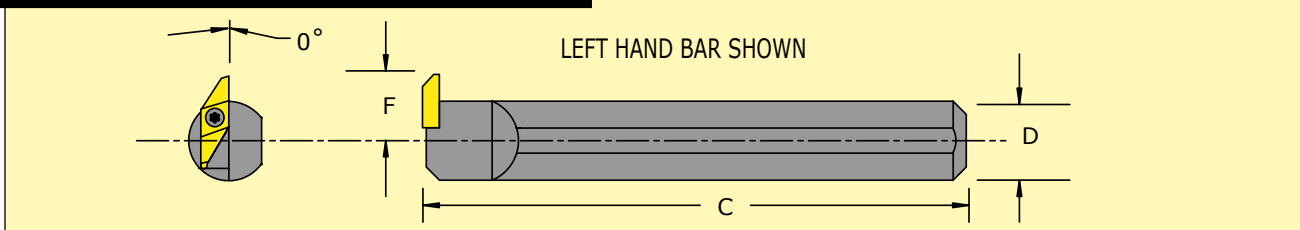
RIGHT HAND SHOWN



R.H. HOLDER NO.	L.H. HOLDER NO.	A	B	C	D
SVANR-07M6M-C	SVANL-07M6M-C	7mm	7mm	127mm	5mm
SVANR-08M6M-C	SVANL-08M6M-C	8mm	8mm	127mm	5mm
SVANR-10M6M-C	SVANL-10M6M-C	10mm	10mm	127mm	5mm
SVANR-12M6M-C	SVANL-12M6M-C	12mm	12mm	127mm	5mm
SVANR-3756M-C	SVANL-3756M-C	.375	.375	5.00	.200
SVANR-5006M-C	SVANL-5006M-C	.500	.500	5.00	.200
SVANR-6256M-C	SVANL-6256M-C	.625	.625	5.00	.200
SVANR-7506M-C	SVANL-7506M-C	.750	.750	5.00	.200
SPARE PARTS		SCREW 2.40-064		WRENCH T-7	

MAX-BAR 6mm 35° DIAMOND BARS

FOR TURRET & GANG LOADING/BACK WORKING



R.H. BAR NO.	L.H. BAR NO.	INSERT	D	C	F	SCREW	WRENCH
S10D-SVFNR6M	S10D-SVFNL6M	6MM-35	.625	5.75	.515	2.40-064	T-7
S12D-SVFNR6M	S12D-SVFNL6M	6MM-35	.750	5.75	.575	2.40-064	T-7

NOTE: RIGHT HAND BARS USE LEFT HAND INSERTS/LEFT HAND BARS USE RIGHT HAND INSERTS

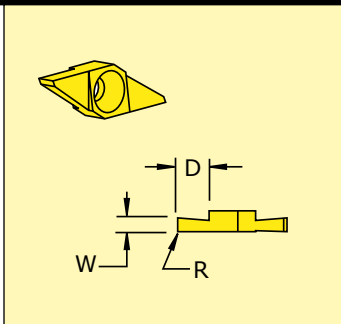
MAX-BAR 8mm 35° SERIES TOOLING

(FORMERLY 2.5 SERIES)



GROOVING

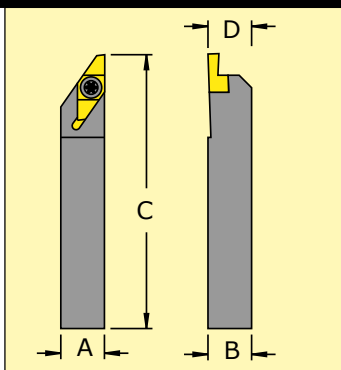
RIGHT HAND SHOWN



		WIDTH		DEPTH		RADIUS	
R.H. INSERT NO.	L.H. INSERT NO.	INCH	MM	INCH	MM	INCH	MM
VNGR-8M125	VNGL-8M125	.125	3,18	.300	7,62	.000	0,00
VNGR-8M093	VNGL-8M093	.093	2,36	.300	7,62	.000	0,00
VNGR-8M078	VNGL-8M078	.078	1,98	.250	6,35	.000	0,00
VNGR-8M062	VNGL-8M062	.062	1,57	.250	6,35	.000	0,00
VNGR-8M047	VNGL-8M047	.047	1,19	.190	4,83	.000	0,00
VNGR-8M040	VNGL-8M040	.040	1,00	.130	3,30	.000	0,00
VNGR-8M031	VNGL-8M031	.031	0,79	.080	2,03	.000	0,00

TOOLHOLDERS

RIGHT HAND SHOWN

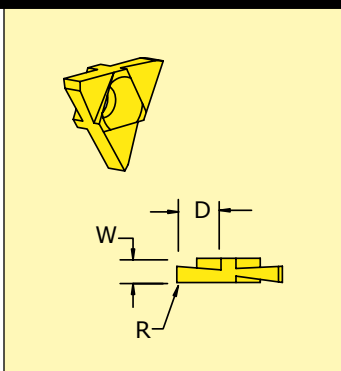


R.H. HOLDER NO.	L.H. HOLDER NO.	A	B	C	D	
SVANR-3758M-V	SVANL-3758M-V	.375	.375	3.50	.380	
SVANR-3758M-C	SVANL-3758M-C	.375	.375	5.00	.380	
SVANR-10M8M-C	SVANL-10M8M-C	10mm	10mm	127mm	10mm	
SVANR-12M8M-C	SVANL-12M8M-C	12mm	12mm	127mm	12mm	
SVANR-5008M-V	SVANL-5008M-V	.500	.500	3.50	.505	
SVANR-5008M-C	SVANL-5008M-C	.500	.500	5.00	.505	
SVANR-6258M-C	SVANL-6258M-C	.625	.625	5.00	.630	
SPARE PARTS		SCREW 3.20-095		WRENCH T-10		

MAX-BAR 10 SERIES TOOLING

GROOVING

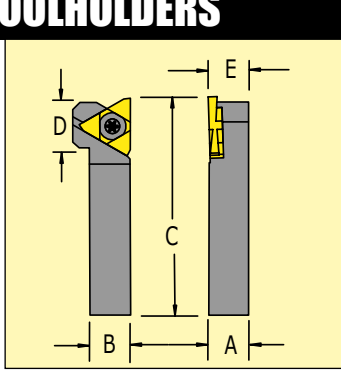
RIGHT HAND SHOWN



		WIDTH		DEPTH		RADIUS	
R.H. INSERT NO.	L.H. INSERT NO.	INCH	MM	INCH	MM	INCH	MM
TNGR-3125	TNGL-3125	.125	3,18	.230	5,84	.000	0,00
TNGR-3093	TNGL-3093	.093	2,36	.230	5,84	.000	0,00
TNGR-3078	TNGL-3078	.078	1,98	.230	5,84	.000	0,00
TNGR-3062	TNGL-3062	.062	1,57	.230	5,84	.000	0,00
TNGR-3047	TNGL-3047	.047	1,19	.230	5,84	.000	0,00
TNGR-3040	TNGL-3040	.040	1,00	.180	4,57	.000	0,00
TNGR-3031	TNGL-3031	.031	0,78	.100	2,54	.000	0,00
TNGR-3020	TNGL-3020	.020	0,50	.090	2,28	.000	0,00
TNGR-3015	TNGL-3015	.015	0,38	.080	2,03	.000	0,00

TOOLHOLDERS

RIGHT HAND SHOWN



R.H. Holder No.	L.H. Holder No.	A	B	C	D	E
STANR-053-V	STANL-053-V	.312	.312	3.50	.550	.317
STANR-063-V	STANL-063-V	.375	.375	3.50	.550	.380
STANR-063-C	STANL-063-C	.375	.375	5.00	.550	.380
STANR-083-V	STANL-083-V	.500	.500	3.50	.550	.505
STANR-083-C	STANL-083-C	.500	.500	5.00	.550	.505
STANR-103-V	STANL-103-V	.625	.625	3.50	---	.630
SPARE PARTS		SCREW 3.50 - 095			WRENCH T-15	

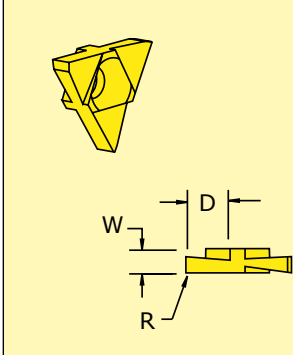
MAX-BAR 16 SERIES TOOLING

FOR BAR DIAMETERS UP TO 5/8" (16mm)



GROOVING

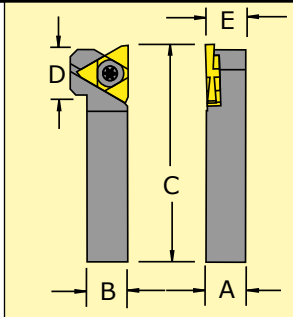
RIGHT HAND SHOWN



		WIDTH		DEPTH		RADIUS	
R.H. INSERT NO.	L.H. INSERT NO.	INCH	MM	INCH	MM	INCH	MM
TNGR-4125	TNGL-4125	.125	3,18	.370	9,40	.000	0,00
TNGR-4093	TNGL-4093	.093	2,36	.370	9,40	.000	0,00
TNGR-4078	TNGL-4078	.078	1,98	.370	9,40	.000	0,00
TNGR-4062	TNGL-4062	.062	1,57	.300	7,62	.000	0,00
TNGR-4047	TNGL-4047	.047	1,19	.230	5,84	.000	0,00
TNGR-4040	TNGL-4040	.040	1,00	.180	4,57	.000	0,00
TNGR-4031	TNGL-4031	.031	0,78	.100	2,54	.000	0,00
TNGR-4020	TNGL-4020	.020	0,50	.090	2,28	.000	0,00

TOOLHOLDERS

RIGHT HAND SHOWN



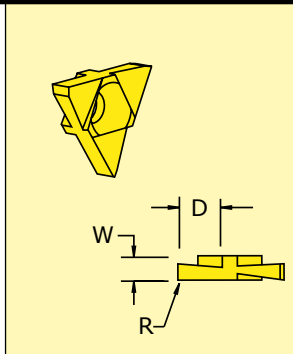
R.H. Holder No.	L.H. Holder No.	A	B	C	D	E
STANR-064-V *	STANL-064-V *	.375	.375	3.50	.750	.380
STANR-064-C *	STANL-064-C *	.375	.375	5.00	.750	.380
STANR-084-V	STANL-084-V	.500	.500	3.50	.750	.505
STANR-084-C	STANL-084-C	.500	.500	5.00	.750	.505
STANR-104-V	STANL-104-V	.625	.625	3.50	.750	.630
STANR-124-C	STANL-124-C	.750	.750	5.00	---	.755
SPARE PARTS		SCREW *4.06-095 4.06-127			WRENCH T-20	

MAX-BAR 20 SERIES TOOLING

FOR BAR DIAMETERS UP TO 3/4" (20mm)

GROOVING

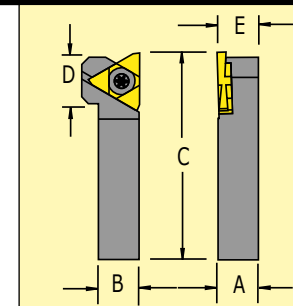
RIGHT HAND SHOWN



		WIDTH		DEPTH		RADIUS	
R.H. INSERT NO.	L.H. INSERT NO.	INCH	MM	INCH	MM	INCH	MM
TNGR-5156	TNGL-5156	.156	3,96	.440	11,2	.000	0,00
TNGR-5125	TNGL-5125	.125	3,18	.440	11,2	.000	0,00
TNGR-5093	TNGL-5093	.093	2,36	.370	9,40	.000	0,00
TNGR-5078	TNGL-5078	.078	1,98	.370	9,40	.000	0,00
TNGR-5062	TNGL-5062	.062	1,57	.300	7,62	.000	0,00
TNGR-5047	TNGL-5047	.047	1,19	.230	5,84	.000	0,00
TNGR-5040	TNGL-5040	.040	1,00	.180	4,57	.000	0,00

TOOLHOLDERS

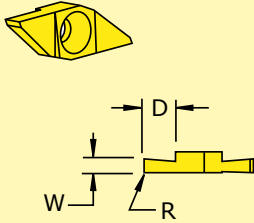
RIGHT HAND SHOWN



R.H. Holder No.	L.H. Holder No.	A	B	C	D	E
STANR-085-V	STANL-085-V	.500	.500	3.50	.920	.505
STANR-085-C	STANL-085-C	.500	.500	5.00	.920	.505
STANR-105-V	STANL-105-V	.625	.625	3.50	.920	.630
STANR-105-D	STANL-105-D	.625	.625	4.50	.920	.630
STANR-125-C	STANL-125-C	.750	.750	5.00	.920	.755
SPARE PARTS		SCREW 4.76-127			WRENCH T-25	

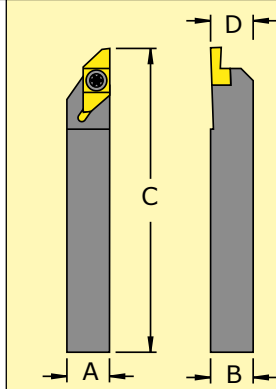
GROOVING

RIGHT HAND SHOWN



R.H. INSERT NO.	L.H. INSERT NO.	WIDTH		DEPTH		RADIUS	
		INCH	MM	INCH	MM	INCH	MM
KNGR-4125	KNGL-4125	.125	3,18	.300	7,62	.000	0,00
KNGR-4093	KNGL-4093	.093	2,36	.300	7,62	.000	0,00
KNGR-4078	KNGL-4078	.078	1,98	.300	7,62	.000	0,00
KNGR-4062	KNGL-4062	.062	1,57	.250	6,60	.000	0,00
KNGR-4047	KNGL-4047	.047	1,19	.190	4,83	.000	0,00
KNGR-4040	KNGL-4040	.040	1,00	.130	3,30	.000	0,00
KNGR-4031	KNGL-4031	.031	0,79	.080	2,03	.000	0,00

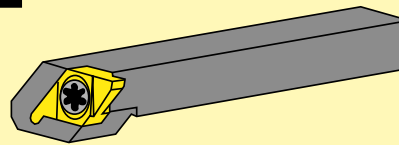
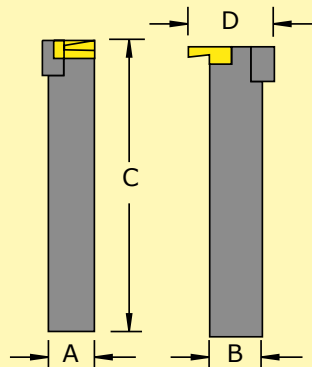
TOOLHOLDERS



R.H. HOLDER NO.	L.H. HOLDER NO.	A	B	C	D
SKANR-104-V	SKANL-104-V	.625	.625	3.50	.630
SKANR-104-C	SKANL-104-C	.625	.625	5.00	.630
SKANR-124-V	SKANL-124-V	.750	.750	3.50	.755
SKANR-124-C	SKANL-124-C	.750	.750	5.00	.755
SKANR-164-C	SKANL-164-C	1.00	1.00	5.00	1.00
SPARE PARTS	SCREW 4.76-127	WRENCH T-25			

MAX-BAR RIGHT ANGLE HOLDERS

FOR TURRET & GANG LOADING



RIGHT HAND SHOWN

R.H. HOLDER NO.	L.H. HOLDER NO.	A	B	C	D	SCREW	WRENCH
SKFNR-064-D	SKFNL-064-D	.375	.500	4.50	1.15	4.76-127	T-25
SKFNR-084-D	SKFNL-084-D	.500	.500	4.50	1.15	4.76-127	T-25
SKFNR-104-D	SKFNL-104-D	.625	.625	4.50	1.15	4.76-127	T-25
SKFNR-124-C	SKFNL-124-C	.750	.750	5.00	1.05	4.76-127	T-25
SKFNR-164-C	SKFNL-164-C	1.00	1.00	5.00	1.30	4.76-127	T-25

NON-STANDARD SHANK SIZES AND RECTANGULAR SHANKS AVAILABLE ON REQUEST

NOTE: RIGHT HAND HOLDERS USE LEFT HAND INSERTS. LEFT HAND HOLDERS USE RIGHT HAND INSERTS.